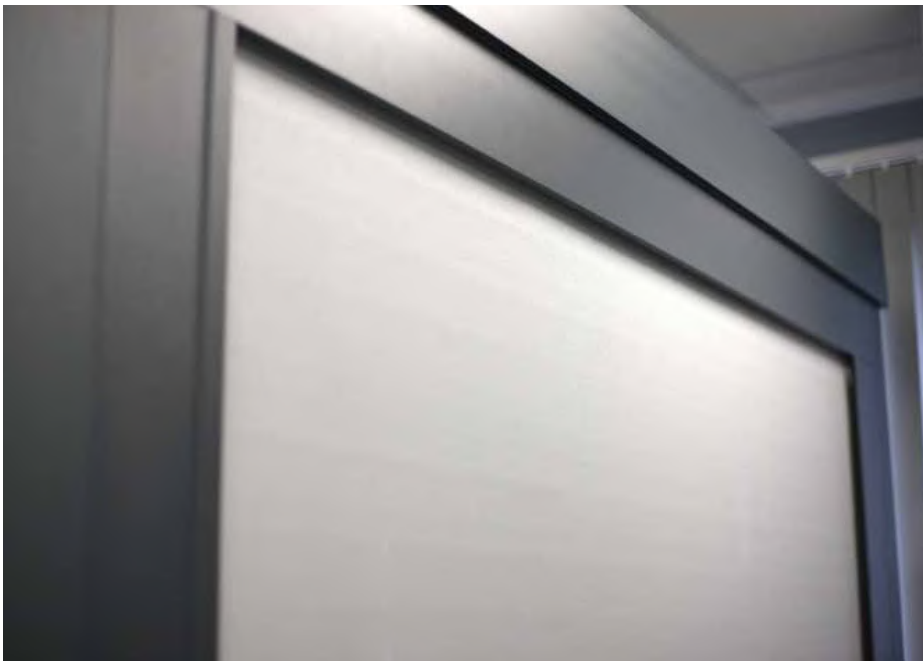


Roller Blind



Installation Guide

Please check off all your parts against the CAD drawing you have been supplied. Check for both quality and quantity. Any discrepancies or quality issues need to be reported within 24 hours from receipt of delivery.



Roller Blind

Tools Required



Drill



7mm Drill Bit



Spirit Level



Step Ladders



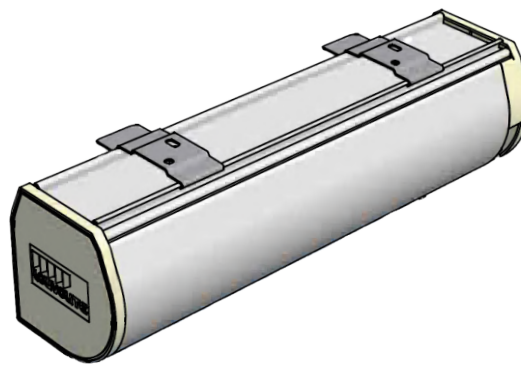
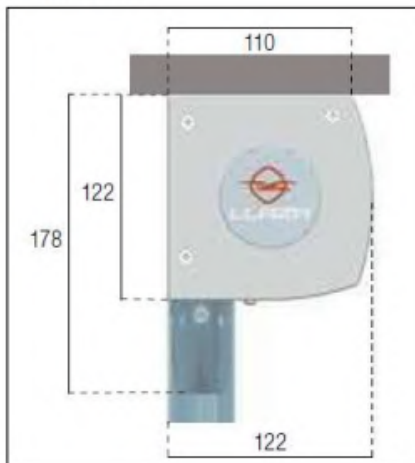
Socket Set



13mm Spanner

YOU NEED YOUR CAD DRAWING AVAILABLE TO PROCEED WITH YOUR INSTALLATION

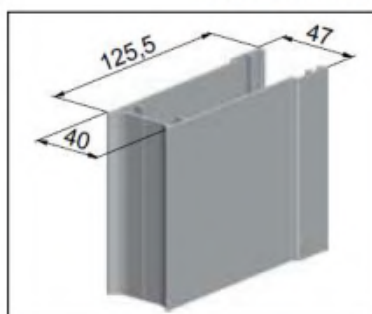
Cassette:



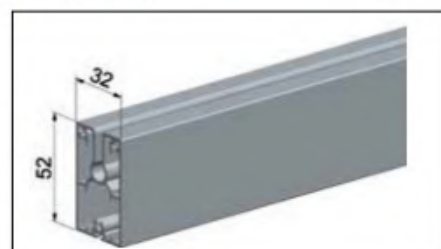
Hem Bar Lock:



Side Channel:



Hem Bar:



Roller Blind

Installation Instructions

1. Side Channel (Fig 1)

Insert side channel to cassette as in picture (Fig 1).

2. Fitting the Channels

Channels can be fitted side or face fix. Fixing of the side channels are all that is required.

3. Fixing the Locking Device (Fig 2)

Lower the blind until the bottom bar reaches the final position. Position locking device as shown in picture and mark through holes for the correct placing of the fixing bolts (supplied).

These locking devices are not handed.

Drill through channel with a 7mm steel drill then secure bracket with bolts supplied.

3A. Refer to programming instructions for setting the motor (See next page)

4. Operating the unit (Closing)

Lower the blind until the bottom bar reaches the final position.

Push the locking devices into place on top of the bottom bar as shown (Fig 2).

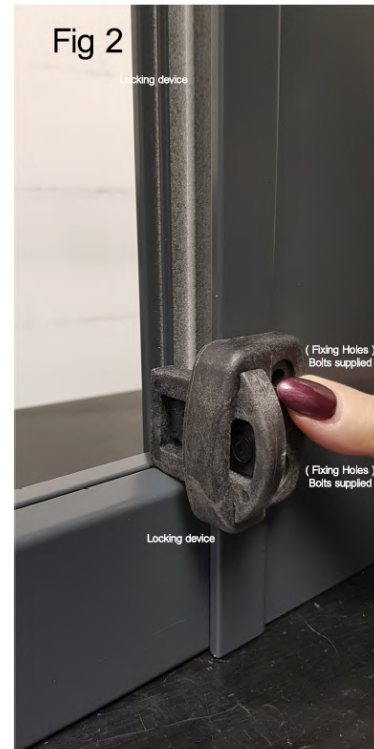
Once both locking devices are in place reverse the roller to apply tension to the cover.

5. Operating the unit (Opening)

Reverse the roller until fabric is loose.

Release the locking devices as shown (Fig3).

Once both locking devices are released the blind can be put back in the open position.



Roller Blind

Programming Instructions for setting the motor

1. Press Buttons (Up & Down)

Press and hold the 'Up & Down' buttons together until the system shunts once, then let go.

2. Check Direction

Check the direction - if wrong way press and hold the 'My Button' until the system shunts once, then let go (this will change the direction).

3. Position

Take system up until the required position is reached.

4. Press Buttons (My & Down)

Press and hold 'My & Down' buttons until the system starts to go down. once moving let go of the buttons.

5. Stop in Position

Stop the system at the required down position with the 'My Button'.

6. Press Buttons (My & Up)

Press and hold 'My & Up' buttons. The blind will automatically go up to the required position and will stop on its own.

7. Press Button (My)

Press and hold 'My' button until the system shunts once then let go of the button.

8. Press Button (Back)

Press and hold 'Button on the Back' of the handset until the system shunts once, then let go. All done.



This installation guide should be used in conjunction with the Installation video for this system which can be found on the trade partner area of our website.

Milwood Group
Europa & Jenner House, Victory Park, 1-2 Trident Close,
Medway City Estate, Rochester, ME2 4ER
0333 305 5272 | sales@milwoodgroup.com

www.milwoodgroup.com



SCAN ME