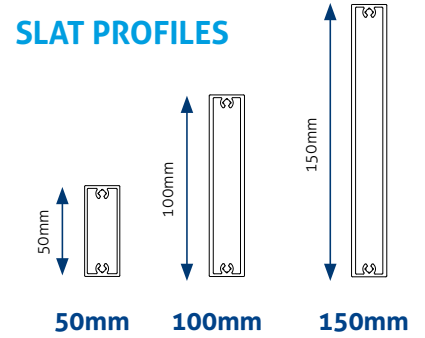


The *A-Fence*

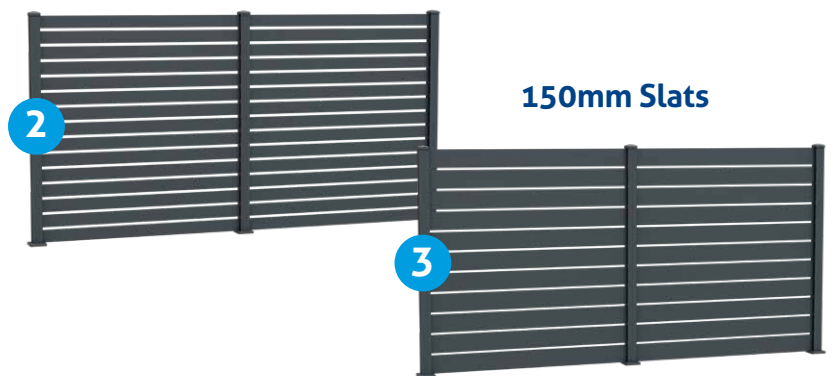
Manufactured entirely out of aluminium, A-Fence will revolutionise the fencing market. Requiring very few components to achieve an effective and robust installation, the fire-safe A-Rated aluminium design will be catching the eyes of architects, developers and, of course, homeowners across the country.



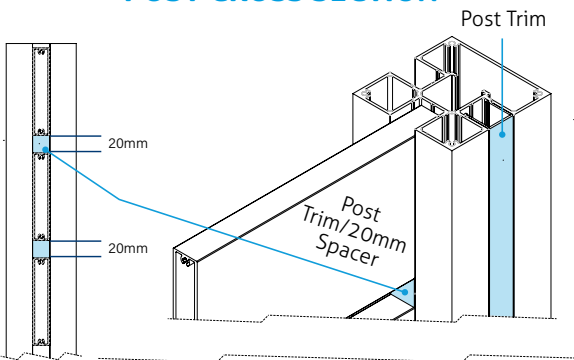
Slatted Aluminium Fencing



100mm Slats



POST CROSS SECTION



Call: 0333 305 5272
AFence@milwoodgroup.com
www.milwoodgroup.com



Interlocking Board Aluminium Fencing

120mm Interlocking Boards

FULLY
MODULAR
DESIGN

4



Colours available

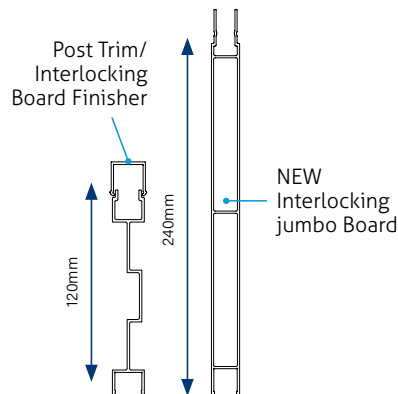
Available finishes include our 2 standard colours, (RAL 7016 & 9005) all in a sleek powder-coat, providing a range of aesthetically pleasing options to suit any property.



Anthracite Grey
RAL 7016

Jet Black
RAL 9005

BOARD PROFILES



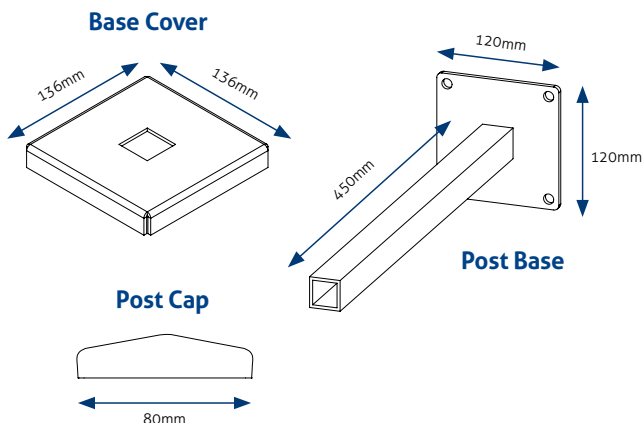
5



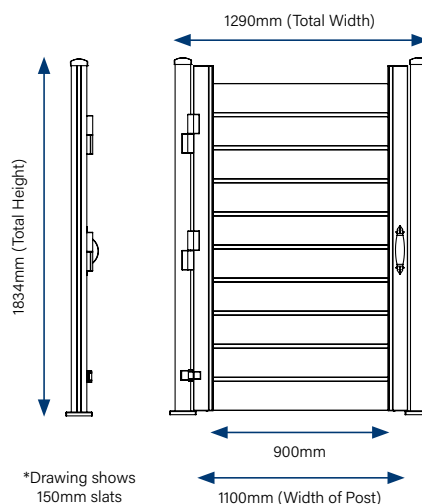
NEW

240mm Interlocking
Jumbo Boards

POST ACCESSORIES



ALUMINIUM GATES



Interlocking Gate



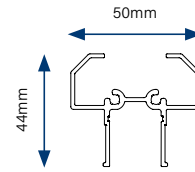
Slatted Gate

Concrete Post Adapters

**FITS
EXISTING
CONCRETE
POSTS**

Our concrete post adapters are meticulously crafted to seamlessly integrate the A-Fence system with existing concrete posts, providing a hassle-free and reliable fencing upgrade. These adapters are designed with durability in mind, ensuring they withstand the test of time and weather conditions.

With our concrete post adapters, you can effortlessly enhance the aesthetic appeal and functionality of your garden or commercial space. They offer a convenient solution for those who already have concrete posts in place, eliminating the need for extensive modifications or post replacement.



The example above has been powder coated to a special colour. Standard colours are shown on page 2.



**Build your
fence your way**

