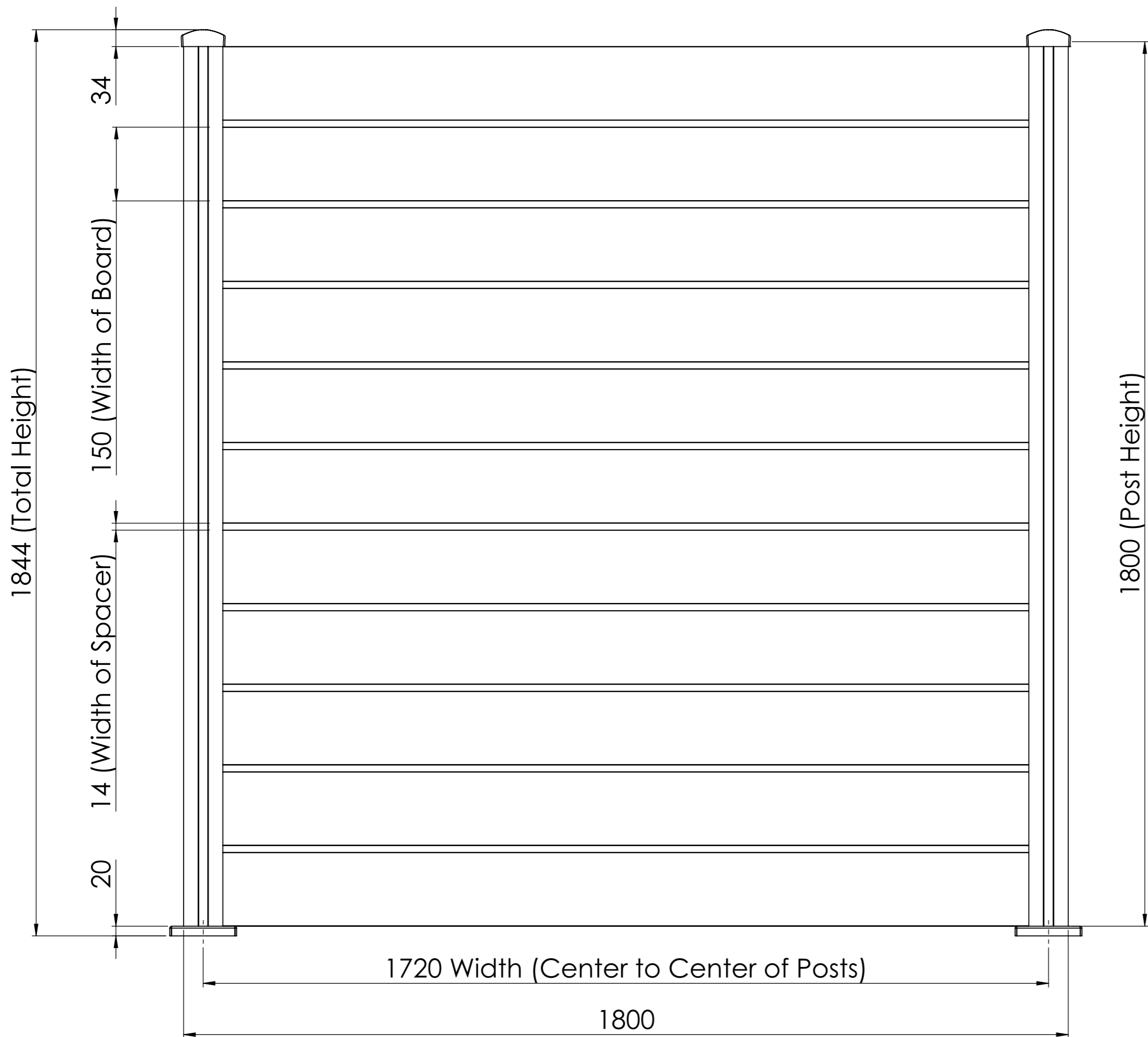


(AFence) - (Aluminium Fence - 150mm Board with 15mm Spacing) - (Standard Drawing)



Notes.

Contractor to be responsible for checking this scheme against architects drawings/site requirements and to advise AFence immediately of any discrepancies. Orders placed against AFence drawing reference assume approval of this scheme. Any materials required over and above the quantities given, will be charged accordingly.

Customer Sign Off.

Sign _____

Date _____

Record Of Revision Changes.

- Creation of drawing (V1)

Colour; RAL 7016 Anthracite Grey Semi-Gloss/RAL 9016 Traffic White Semi-Gloss/RAL 9005 Jet Black Textured/RAL 7001 Silver Grey Textured /RAL 6021 Pale Green Textured/RAL 8017 Chocolate Brown Textured

Delivery and Storage.

When delivered check that all boards and posts are present. Check whether the boards or posts have suffered any visible damage in transit Damaged panels must be noted on the delivery document and replaced if necessary. The boards and posts are delivered on a pallet (protected) and should also be stored this way on site. Do not store boards or posts standing upright.

Product Details:



From

This drawing and the product it displays is the sole property of AFence & The Milwood Group any reproduction of this drawing or product without the written permission of AFence & The Milwood Group is prohibited.

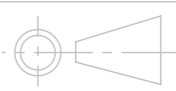


Drawing Title:

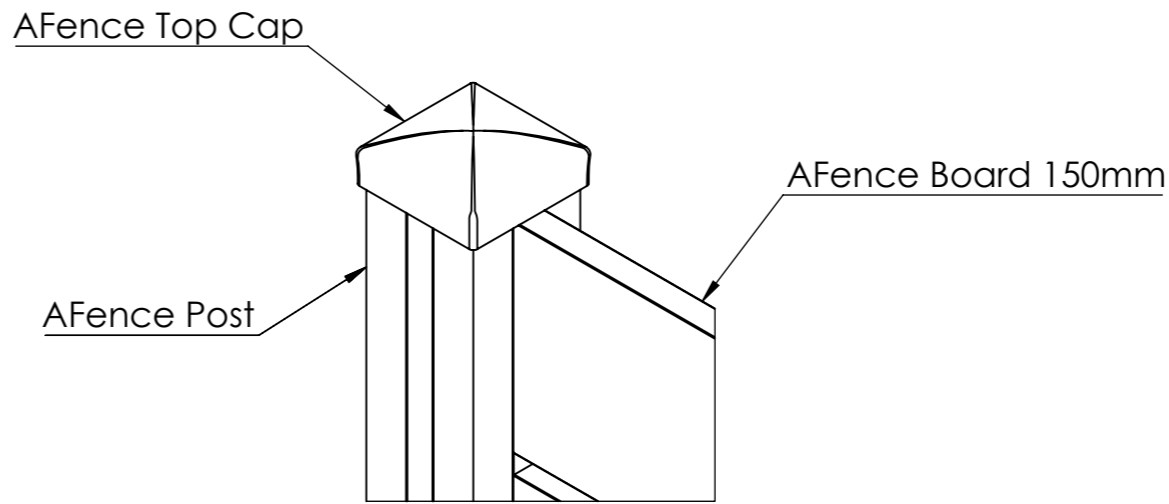
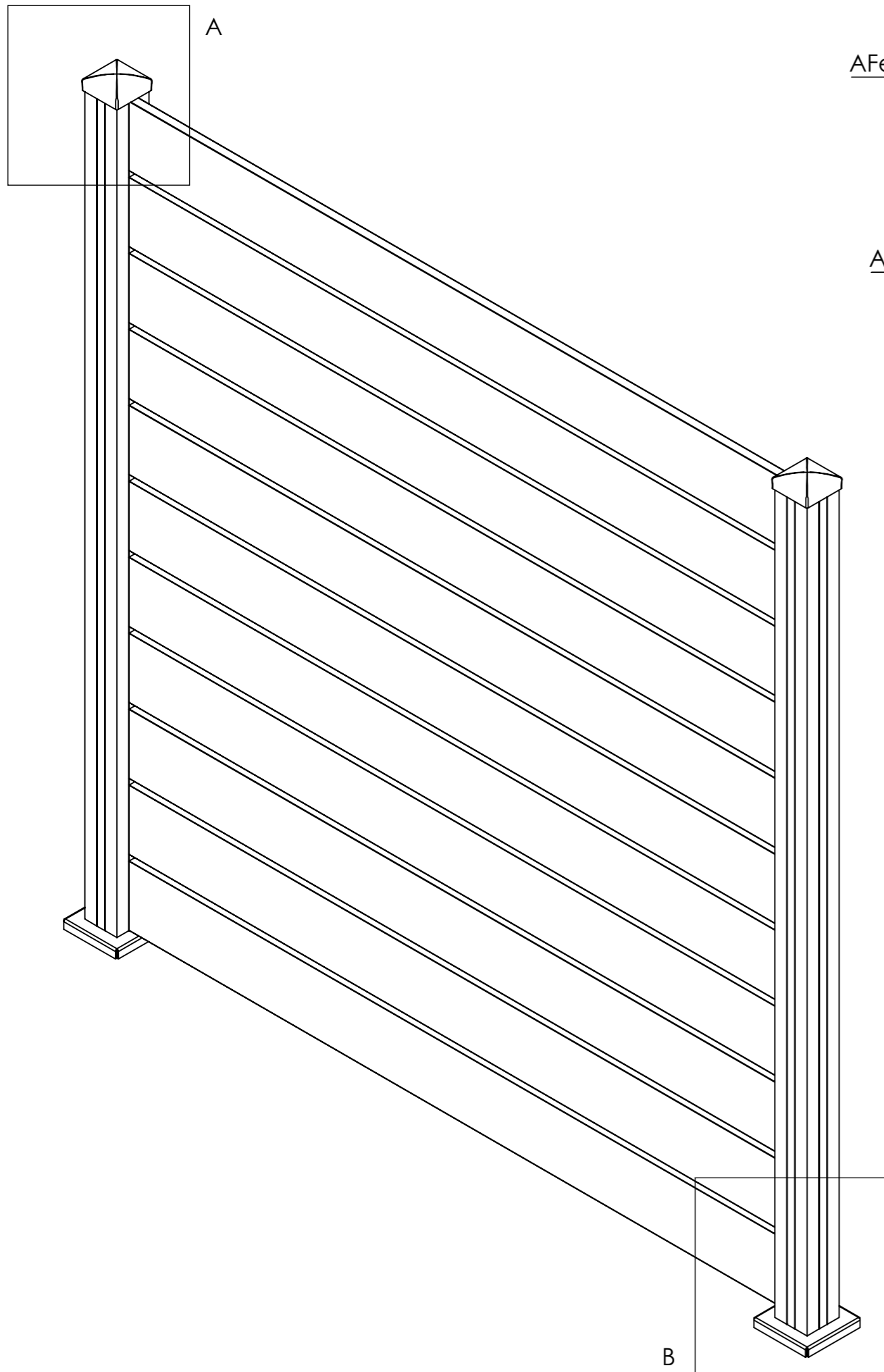
(AFence) - (Aluminium Fence - 150mm Board with 15mm Spacing) - (Standard Drawing)

Product:

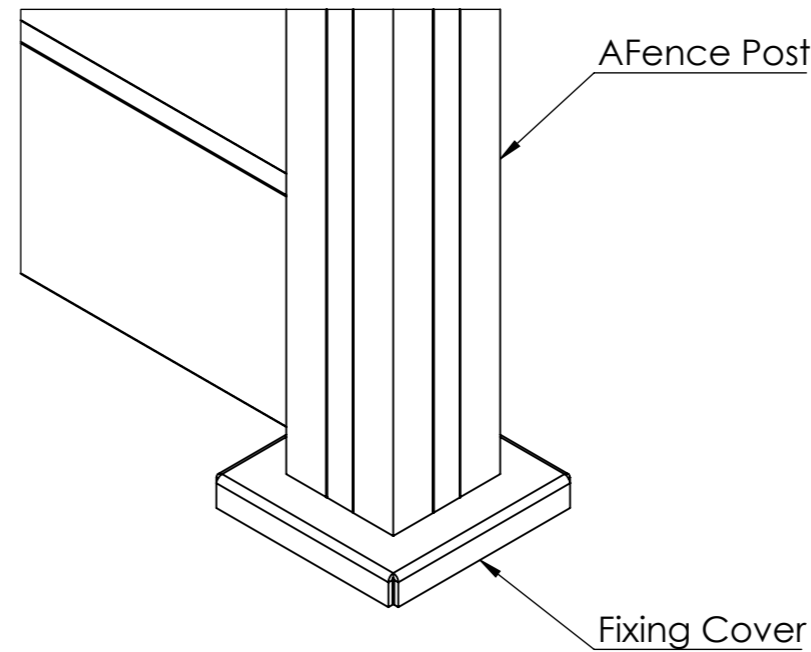
Aluminium Fence

Date 17-04-24	Page Size A3 (L)	Scale DNS	Drawn Shyam
Issuer MIL	Sequence 000001	(Tol) +/- 1mm	Rev V2
If in any doubt about details on this drawing call us on 01622 235 672	 3rd Angle Projection	Finish PPC	Page 1 of 3

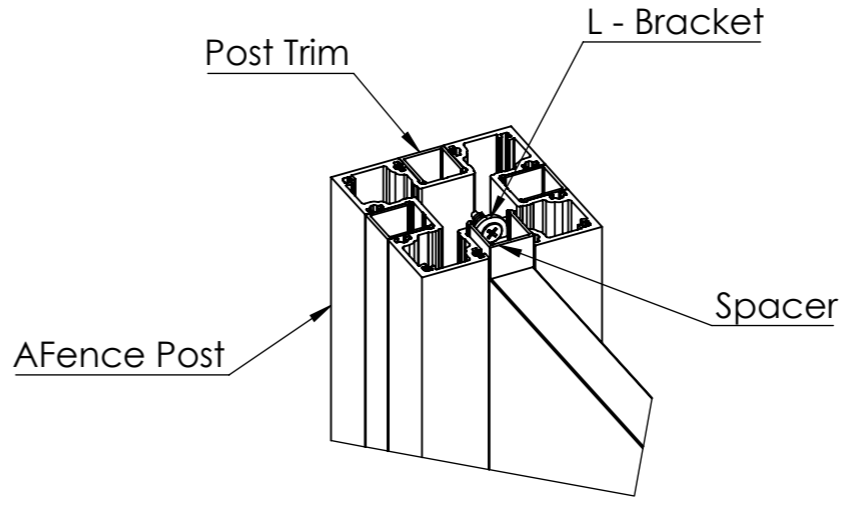
(AFence) - (Aluminium Fence - 150mm Board with 15mm Spacing) - (Standard Drawing)



DETAIL A



DETAIL B



DETAIL F

Notes.
Contractor to be responsible for checking this scheme against architects drawings/site requirements and to advise AFence immediately of any discrepancies. Orders placed against AFence drawing reference assume approval of this scheme. Any materials required over and above the quantities given, will be charged accordingly.

Customer Sign Off.
Sign _____
Date _____

Record Of Revision Changes.

- Creation of drawing (V1)

Colour; RAL 7016 Anthracite Grey Semi-Gloss/RAL 9016 Traffic White Semi-Gloss/RAL 9005 Jet Black Textured/RAL 7001 Silver Grey Textured /RAL 6021 Pale Green Textured/RAL 8017 Chocolate Brown Textured

Delivery and Storage.
When delivered check that all boards and posts are present. Check whether the boards or posts have suffered any visible damage in transit Damaged panels must be noted on the delivery document and replaced if necessary. The boards and posts are delivered on a pallet (protected) and should also be stored this way on site. Do not store boards or posts standing upright.

Product Details:



From
This drawing and the product it displays is the sole property of AFence & The Milwood Group any reproduction of this drawing or product without the written permission of AFence & The Milwood Group is prohibited.



Drawing Title:
(AFence) - (Aluminium Fence - 150mm Board with 15mm Spacing) - (Standard Drawing)

Product:
Aluminium Fence

Date 17-04-24	Page Size A3 (L)	Scale DNS	Drawn Shyam
Issuer MIL	Sequence 000001	(Tol) +/- 1mm	Rev V2

If in any doubt about details on this drawing call us on 01622 235 672	3rd Angle Projection	Finish PPC	Page 2 of 3
--	----------------------	----------------------	-----------------------

ITEMS REQUIRED:

Board150/RAL7016 - 150mm Slatted Board RAL7016 - 11 Nos. - LENGTH 1680mm

AF/Post Trim/RAL7016 - Post Trim RAL7016 - 6 Nos. - Length 1800mm

AF/POST/RAL7016 - Post RAL7016 - 2 Nos. - Length 1800mm

AF/ Post Trim RAL7016 - Post Trim RAL7016 (For Spacer) - 22 Nos. - Length 550mm

AF/PTC/RAL7016 - POST TOP CAP - 2 Nos.

AF/IGPB/RAL7016 - In Ground Post Bracket - 2 Nos. - LENGTH 450mm

AF/PBC/RAL7016 - POST BASE COVER - 2 Nos..

Angle Bracket - 22 Nos. and Self - Drillers - 44 Nos

SEAL/CLEAR - Sikaflex Crystal Clear - 1 Nos.

Notes.

Contractor to be responsible for checking this scheme against architects drawings/site requirements and to advise AFence immediately of any discrepancies. Orders placed against AFence drawing reference assume approval of this scheme. Any materials required over and above the quantities given, will be charged accordingly.

Customer Sign Off.

Sign _____

Date _____

Record Of Revision Changes.

1. Creation of drawing (V1)

Colour; RAL 7016 Anthracite Grey Semi-Gloss/RAL 9016 Traffic White Semi-Gloss/RAL 9005 Jet Black Textured/RAL 7001 Silver Grey Textured /RAL 6021 Pale Green Textured/RAL 8017 Chocolate Brown Textured

Delivery and Storage.

When delivered check that all boards and posts are present. Check whether the boards or posts have suffered any visible damage in transit Damaged panels must be noted on the delivery document and replaced if necessary. The boards and posts are delivered on a pallet (protected) and should also be stored this way on site. Do not store boards or posts standing upright.

Product Details:



From

This drawing and the product it displays is the sole property of AFence & The Milwood Group any reproduction of this drawing or product without the written permission of AFence & The Milwood Group is prohibited.

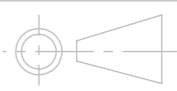


Drawing Title:

(AFence) - (Aluminium Fence - 150mm Board with 15mm Spacing) - (Standard Drawing)

Product:

Aluminium Fence

Date	Page Size	Scale	Drawn
17-04-24	A3 (L)	DNS	Shyam
Issuer	Sequence	(Tol)	Rev
MIL	000001	+/- 1mm	V2
If in any doubt about details on this drawing call us on 01622 235 672	 3rd Angle Projection	Finish	Page
		PPC	3 of 3