



MADE IN
THE UK



Goal Posts

Installation Guide

Please check off all your parts against the CAD drawing you have been supplied. Check for both quality and quantity. Any discrepancies or quality issues need to be reported within 24 hours from receipt of delivery.

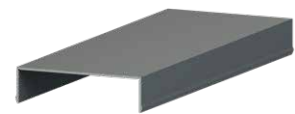
Profiles



Goal Post



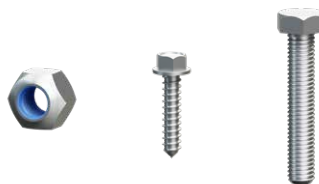
End Plate



Cover Trims



Bracket



Fixings - Nuts, Bolts, Self Drillers

Goal Posts

Tools Required



Drill



Impact Driver



Spirit Level



Rubber Mallet



Socket Set



Step Ladders



Masonry Drill Bits



Digging Equipment



Chop saw
with aluminium blade,
recommended 60 to 80 tooth



Masonry Drill

YOU NEED YOUR CAD DRAWING AVAILABLE TO PROCEED WITH YOUR INSTALLATION

Goal Posts

Installation Instructions

Posts need to be concreted in ground. We recommend using a 600x600x600mm hole with C4 concrete.

Please note that the goal post sections weigh 11kg per Meter. Please use suitable lifting techniques and manual handling methods.

1. Goal post uprights

Attach the angle brackets to the bottom of the goal post by sliding the bolts into the bolt channels, fix through the angle bracket using the supplied nylock nuts and lower into your pre dug hole.

Ensure the goal post upright is plum and in line with the second upright position.



Back fill the pre dug hole with C4 grade concrete to the FFL and let the concrete cure.

Repeat the above process for the remaining goal post uprights following your CAD drawing.



Goal Posts

Installation Instructions

2. Goal post cross member

Slide bolts into the bolt channels for the goalpost uprights and install the angle brackets. Do not fully tighten the nuts at this time.

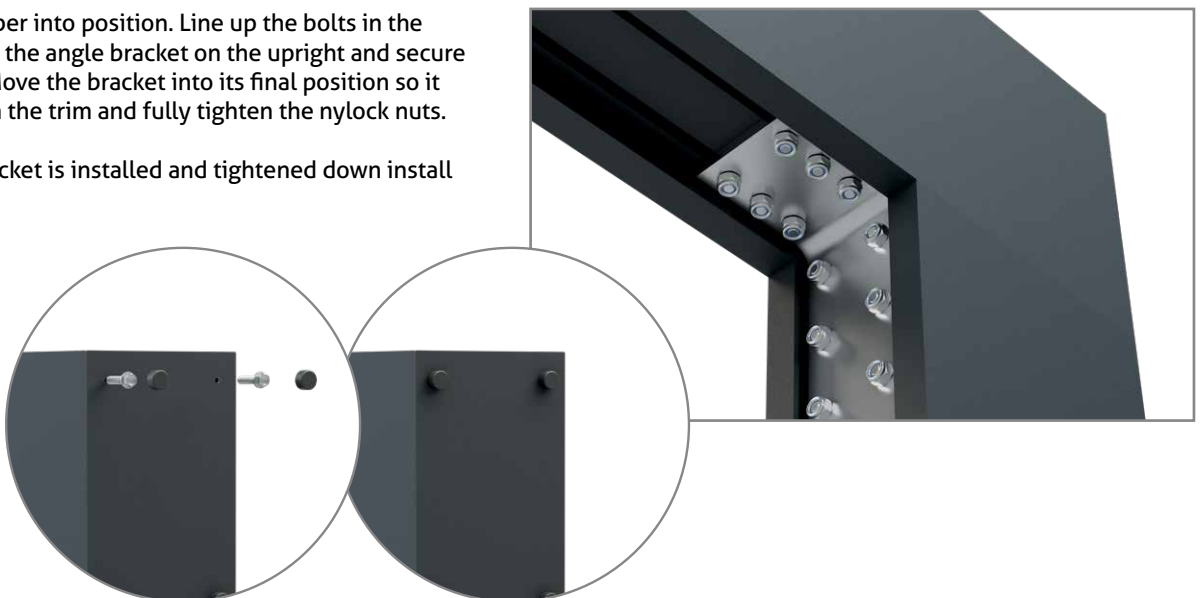


Slide bolts into bolt channels on the cross member prior to lifting the cross member into position.



Lift the cross member into position. Line up the bolts in the cross member with the angle bracket on the upright and secure with nylock nuts. Move the bracket into its final position so it will be hidden with the trim and fully tighten the nylock nuts.

Once the angle bracket is installed and tightened down install the end cap.



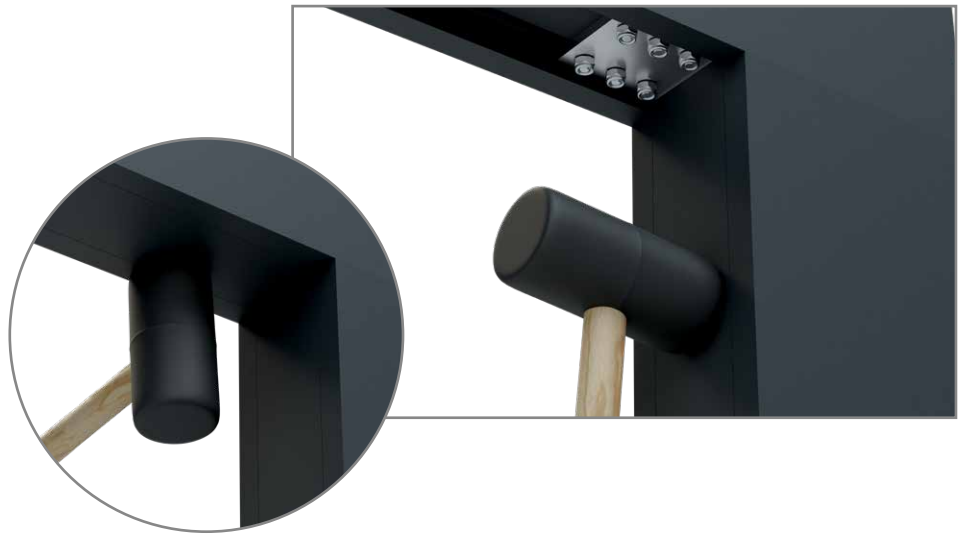
Goal Posts

Installation Instructions

3. Place cover trims

Gently tap the cover trims into place.

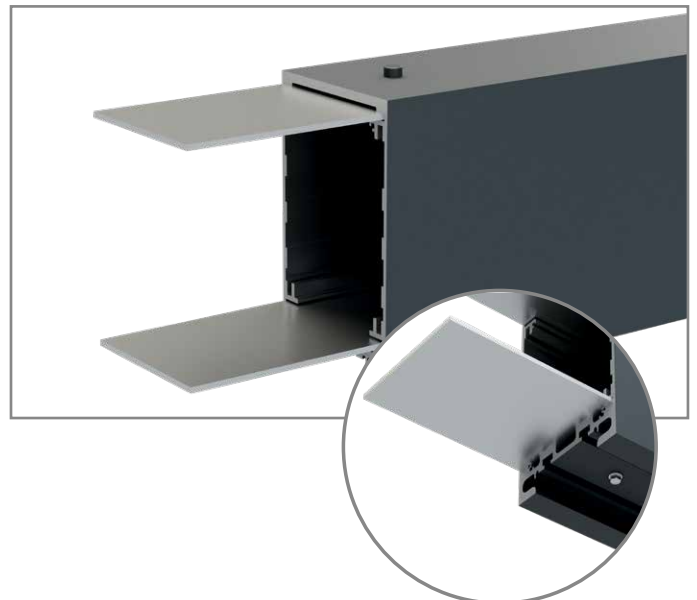
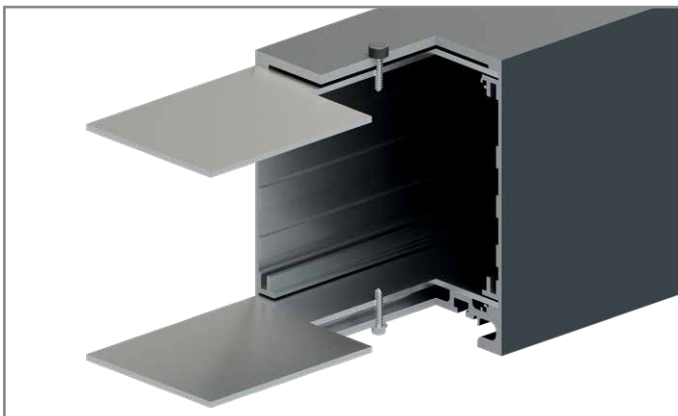
You have now completed your 2 post goal post system.



3 Post install

4. Goal post cross member

On a system that has 3 upright posts and a joint in the cross member the joint must be placed on top of an upright post. The joint is secured using 2 joining plates. The plates must be installed and secured with 1 no self drilling screw prior to joining the 2 cross member sections to avoid the joining plates sliding back into the section.



Goal Posts

Installation Instructions

Attach the cross member to the upright post as before but only use half of the post. Take the second cross member and locate onto joining plates and slide into position. No fixings are required.

The 2 cross member sections will be secured in place when the wall plate is installed.

Secure the cross member to the 3rd upright using the angled bracket following step 2 of the guide.

Your goal post system is now complete.



This installation guide should be used in conjunction with the Installation video for this system which can be found on the trade partner area of our website.

Milwood Group
Europa & Jenner House, Victory Park, 1-2 Trident Close,
Medway City Estate, Rochester, ME2 4ER
0333 305 5272 | sales@milwoodgroup.com



SCAN ME